

**BROMIC**<sup>®</sup>  
HEATING



# FAQS

FREQUENTLY ASKED QUESTIONS

[BROMIC.COM/HEATING](http://BROMIC.COM/HEATING)



## BASIC PRODUCT INFO

### What sets Bromic Heating apart from our competitors?

- Bromic heaters are the most stylish and functional heaters on the market.
- We are a full range, heating solution provider: Gas, Electric & Portable units.
- Efficiency is one of our key features, as our heaters reduce energy consumption while heating larger areas than traditional mushroom heaters.
- We offer the highest wind resistance rating out of any outdoor heaters.
- Our heaters are aesthetically pleasing, and complement any location, whether it be a modern, rustic, or traditional setting.
- Bromic Heating's in house specification designers offer a complimentary site design service. Customers can send us plans, dimensions and photos of the area they need to heat, and we will return a proposal within 2 business days
- We have a 1 year parts warranty on all of our heaters. We offer a lifetime warranty (7 years) on our electric heating elements.



## COVERAGE, MOUNTING & CLEARANCES

### How much square footage do our heaters cover?

#### Gas

- Platinum 500 & Tungsten 500: 200ft<sup>2</sup>/20m<sup>2</sup>.
- Platinum 300 & Tungsten 300: 120ft<sup>2</sup>/15m<sup>2</sup>.
- Tungsten Portable: 180sq ft<sup>2</sup>/20m<sup>2</sup>.

#### Electric

- Tungsten Electric 6000w: 160ft<sup>2</sup>/15m<sup>2</sup>.
- Tungsten Electric 4000w: 130ft<sup>2</sup>/12m<sup>2</sup>.
- Tungsten Electric 3000w: 100ft<sup>2</sup>/9m<sup>2</sup>.
- Tungsten Electric 2000w: 65ft<sup>2</sup>/6m<sup>2</sup>.
- Platinum Electric 2300w: 64.6ft<sup>2</sup>/6m<sup>2</sup>.
- Platinum Electric 3400w: 108ft<sup>2</sup>/10m<sup>2</sup>.
- Cobalt Electric 6000w: 160ft<sup>2</sup>/15m<sup>2</sup>.
- Cobalt Electric 4000w: 130ft<sup>2</sup>/12m<sup>2</sup>.

### What are the clearance requirements for our heaters?

#### Gas

- Bottom of heater head to floor: 8ft/243.8cm.
- Top of heater head to ceiling w/heat deflector: 14in/35cm.
- Top of heater head to ceiling w/o heat deflector: 3ft/91.5cm.
- Side of heater to side wall: 3ft/91.5cm.

#### Electric

- Bottom of heater head to floor: 8ft/243.8cm.
- Top of heater head to ceiling: 12in/30.5cm.
- Side of heater to side wall: 12in/30.5cm.

### Can our heaters be recessed or flush mounted?

- The Tungsten Electric & Platinum Electric heaters can be flush mounted.
- We provide specific recess kits for each heater.
- Gas units cannot be recessed.

### Can our heaters be hung from the ceiling?

- In locations with high ceilings, our heaters can be mounted to ceiling poles.
- We provide ceiling poles in 6 different lengths.
- In order to calculate bottom of the heater head to the floor, we use the following formula: Pole length + overall heater height (16") - floor to pole mounting height.

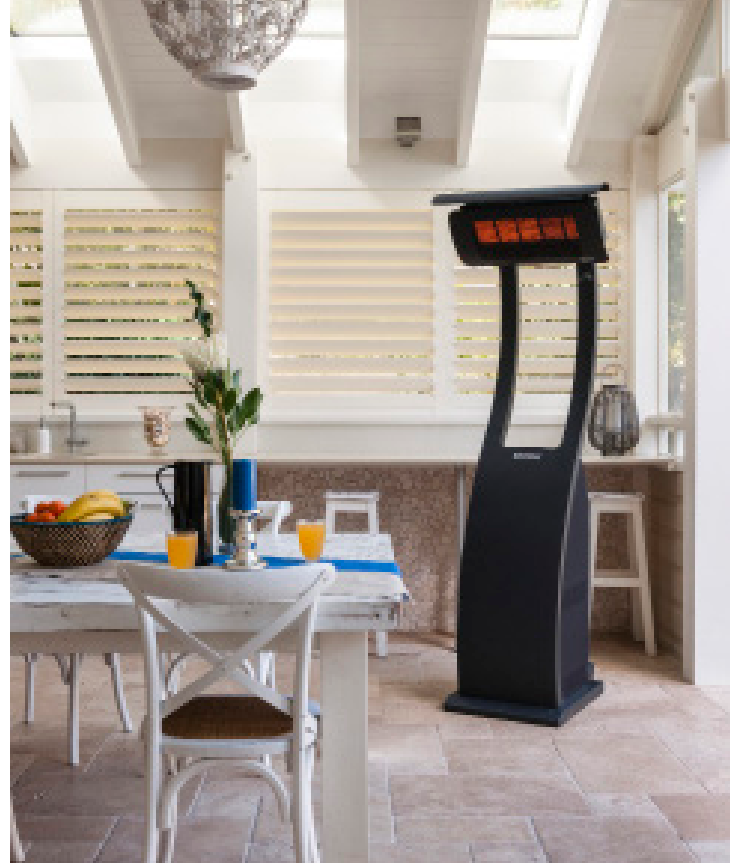
## CONTROL OPTIONS

### What control options do we offer?

- We have an On/Off switch w/remote control for use with our gas and electric heaters. This can be used to control up to 4 gas heaters, or 2 elements on our electric heaters (2 single element, or 1 dual element unit).
- We have a Dimmer switch w/remote control only for use with our electric heaters (2 single element, or 1 dual element unit).
- We have a 42-channel remote control, compatible with our On/Off & Dimmer switches.

### How can we control heat using these controllers?

- The On/Off Control is a simple switch to turn our heaters on and off.
- The Dimmer Control is used to control our electric heaters from 0% to 100%, with 4 preset heat levels set at 100%, 75%, 50% and 25%.
- Both options include remote controls, which have a 100ft/30m range from our control boxes.



## APPLICATION

### What is the ideal temperature for our heaters to work properly?

- Our heaters are most effective in ambient temperatures between 50°F-60°F/10°C-15°C.
- In ambient temperatures below 50°F/10°C, higher quantities of infrared heaters are required (please consult Bromic design specialists for recommendation and heater layout assistance).

### How much wind resistance do our heaters have?

#### Gas

- Platinum 500 & 300: 11mph/18kmh
- Tungsten 500 & 300: 8mph/12kmh
- Tungsten Portable: 8mph/12kmh



#### Electric

- Our electric heaters are not affected by wind. Even in high wind conditions, infrared heat will continue to focus on its intended area. However, wind chill factor will reduce ambient temperature and effect range of the heater.

### Can our heaters be used in an uncovered patio?

- Our heaters can be used in an uncovered patio, although we recommend some form of cover in order to shield our heaters from the elements.

### Can our heaters be used in a coastal environment?

- We recommend placing our heaters under a protective cover in coastal environments, as salt and humidity can be hazardous to all metals. Our heaters are constructed using stainless steel to ensure maximum life. Like all ferrous materials, stainless steel is not completely corrosion resistant. It is important that frequent cleaning is performed and appropriate care is taken to minimize the effect of being in a corrosive environment.

---

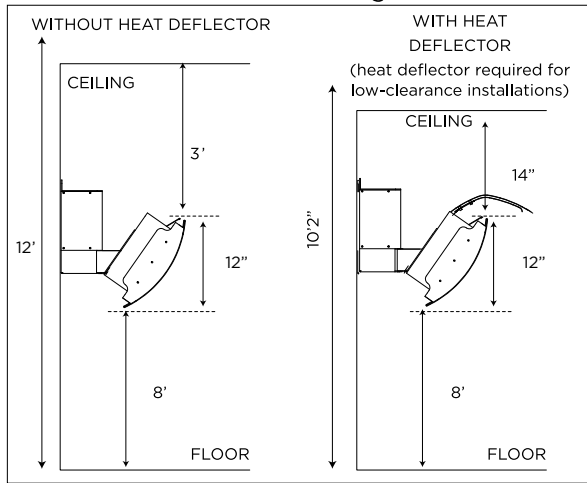
**Due to heater placement being unique to every installation, we highly recommend contacting our specification designers for a complimentary site recommendation.**



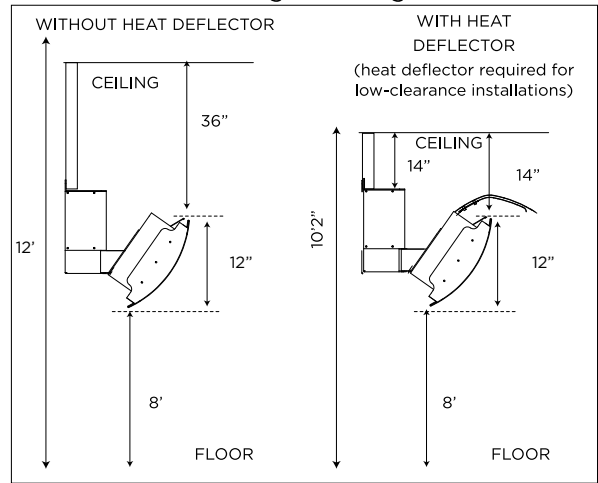
# CLEARANCE DIMENSIONS

## Tungsten Smart-Heat™ Gas

Wall Mounting

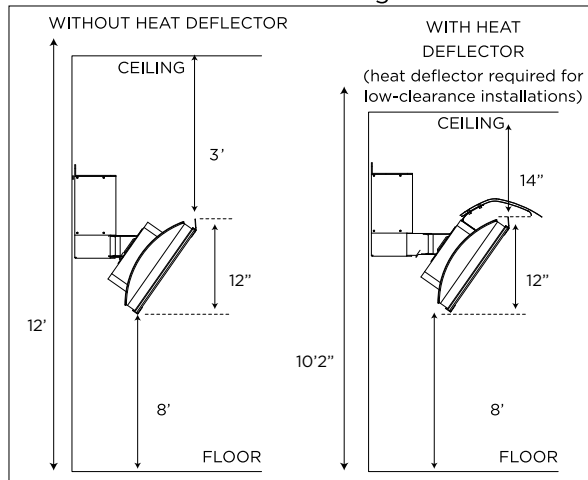


Ceiling Mounting



## Platinum Smart-Heat™ Gas

Wall Mounting



Ceiling Mounting

