

# PELLET INSERTS



# WINSLOW



WINSLOW PI40GL

The Winslow™ fireplace insert delivers inviting and reliable heat in an attractive style that can be customized to complement any home. Convenient features, ease of use and serviceability are designed right into the stove. And with Smart Heat™ technology, ideal room temperatures can be set for consistent comfort. Plus, with a large variety of design features, the Winslow can be personalized to reflect every style and taste.

## OVERVIEW

- ◆ Large, heavy-duty welded steel heat exchanger provides efficient heat transfer and maximum durability.
- ◆ Smart Heat™ technology delivers the ultimate in precision heating and comfort control.
- ◆ Large and easy-to-load hopper holds up to 55 lbs., requiring less loading and ensuring longer burn times.
- ◆ Innovative self-ignition system delivers hassle-free automatic starts and works with a thermostat for easy operation.
- ◆ Durable, cast-iron burn pot, with airburst feature, self-cleans for less maintenance and trouble-free starts.
- ◆ Sealed blower and auger assembly ensures quiet operation and never need to be greased.
- ◆ Unique air wash system creates less maintenance and a clear view of the fire.
- ◆ Choose from several sizes of surround panel kits to match your opening size (1-required).
- ◆ Multiple door trims and grill finishes add to the attractive finished look. (1ea-required).
- ◆ Painted black interior with optional brick liner kit available.
- ◆ Several optional thermostat and on-off remote control kits are available for added convenience.
- ◆ Limited lifetime warranty.

\*Square-foot heating capacities are approximations only. Actual performance may vary depending upon home design and insulation, ceiling heights, climate, condition and type of fuel used, appliance location, burn rate, accessories chosen, chimney installation and how the appliance is operated.

# WINSLOW PI40GL



Winslow shown with Brushed Nickel door and grill finish.



- BTU OUTPUT:** 37,500 – 15,120
- HEATING CAPACITY:** 900 – 2,000 square feet
- EFFICIENCY:** 87.3%
- STANDARD BLOWER:** 150-CFM
- HOPPER CAPACITY:** 55 LBS.
- REMOTE CONTROL:** Optional

## OPTIONS

### STOVE SURROUND TRIMS



Black

Choose a Surround size based on your existing fireplace then a Trim finish.

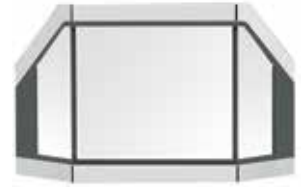
- 41" W X 29"H
- 48" W X 29"H
- 41" W X 33"H
- 48" W X 33"H

Trim Finish

### DOORS



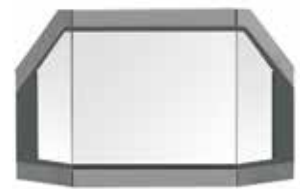
Black



Nickel



Brushed Nickel



Black Nickel

### GRILLS



Black



Nickel



Brushed Nickel



Black Nickel

### LINER



Brick Liner

### REMOTES

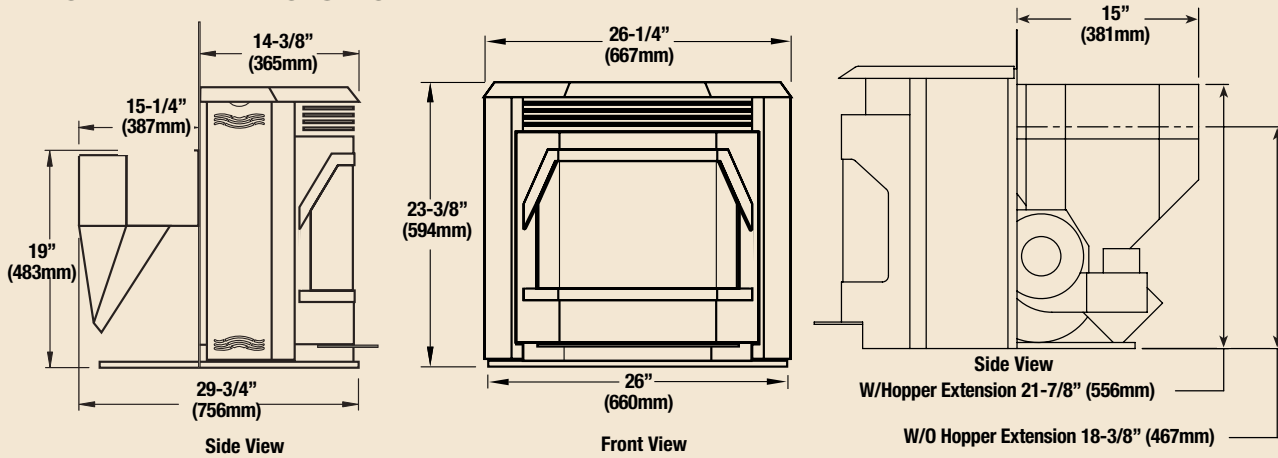


Options include a thermostatic touch remote and simple on/off remote, among others.

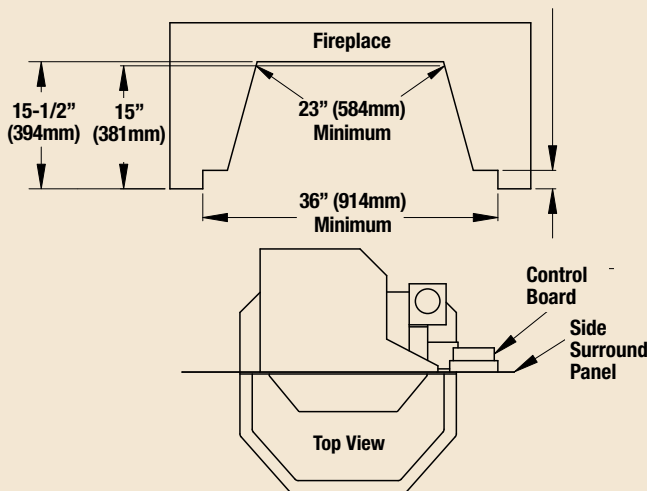
# SPECIFICATIONS

## WINSLOW PI40GL

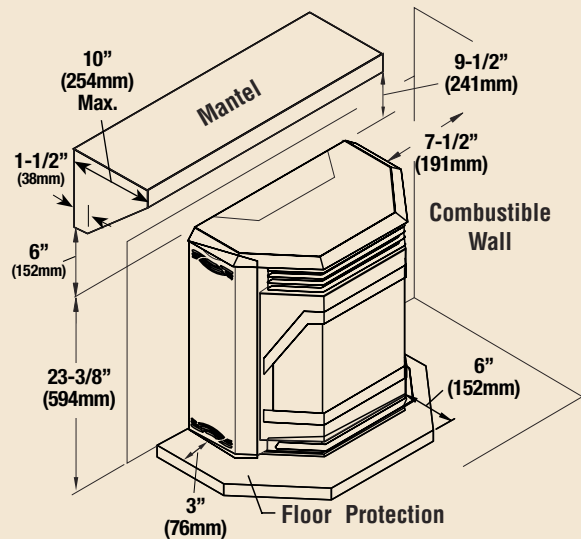
### INSERT DIMENSIONS



### FIREPLACE DIMENSIONS



### CLEARANCES



### FLOOR PROTECTION

